

TKH-MOUSE-PRO-IP68-WHITE-USB
INDUMOUSE PRO



InduMouse® Pro is washable and disinfectable

Suitable for use on various surfaces



PRODUCT FEATURES

- Medical grade mouse works on glass and transparent surfaces
- Ergonomic functionality with two mousebuttons and three-button scroll function
- Due to the symmetric shape it's suitable for right-hand and also left-hand operation
- Comfortable use
- Completely water and dust proof
- An USB protection cap protects the USB connector during cleaning against splash water
- Resolution adjustable in 7 levels from 400 to 1600 cpi
- Easy to clean and to disinfect
- Antimicrobial properties to prevent the growth of microbes and germs
- EMC compliant with EN 60601-1-2 Edition 4

SPECIFICATION

| | | | |
|-----------------------|--|------------------------|------------------------------------|
| Number of keys: | 5 | Interface: | USB |
| Housing: | silicone | USB Compatibility: | compliant with USB 2.0 |
| Bottom panel: | plastic | Cable length: | approx. 2 m |
| Colour: | white | Operating temperature: | 0 °C to +40 °C |
| Keyswitch technology: | short travel keys | Storage temperature: | -40 °C to +85°C |
| Operating principle: | infrared | Dimensions: | 115 x 61 x 39 mm |
| Resolution: | 400 bis 1600 dpi (adjustable in steps of 200) | Weight: | 150 g |
| Scrollfunction: | 3 scrollbuttons | Certification: | CE, FCC, RoHS, REACH |
| Protection level: | IP68 | Guarantee: | 4 years on the electrical function |

| Art.No. | Product description |
|---------|------------------------------|
| KH25201 | TKH-MOUSE-PRO-IP68-WHITE-USB |

Other configurations and interfaces on request.

Subject to modifications and errors

GETT Gerätetechnik GmbH

Mittlerer Ring 1 | 08233 Treuen | Germany
Tel: +49 37468 660-0
Fax: +49 37468 660-66
E-Mail: info@gett.de
Internet: www.gett.de

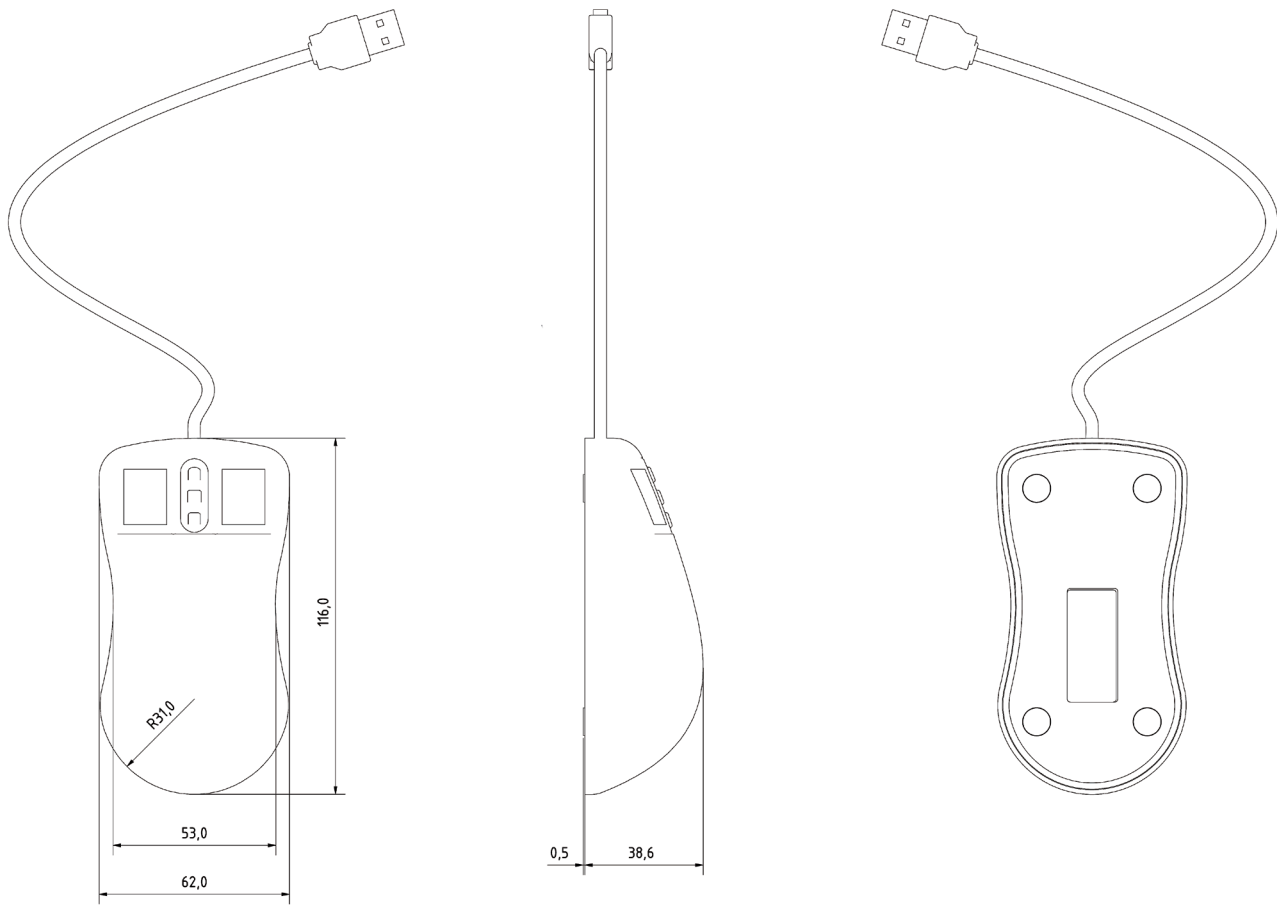
Gett North America LLC

E-Mail: info@gett-na.com
Internet: www.gett-na.com

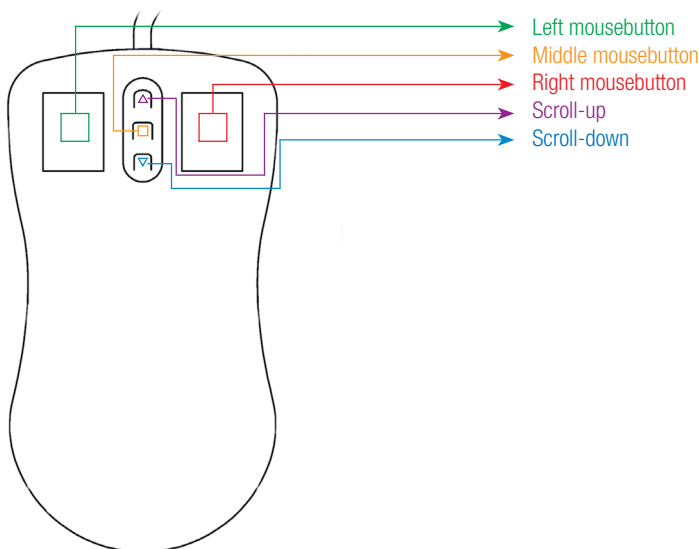
Gett Asia Ltd.

E-Mail: info@gett-asia.com
Internet: www.gett-asia.com

TECHNICAL DRAWING



Mouse functions when using standard Windows® drivers



Resolution adjustment:

Due to the infrared scanning used, the resolution can be set from 400 to 1600 cpi in steps of 200. Keep left and right mousebutton pressed at once and adjust the resolution with the scrollbuttons:

- Scroll-up: higher resolution
- Scroll-down: lower resolution

Subject to modifications and errors